

İSPANYOLET KOLLU PANO KİLİTLERİ

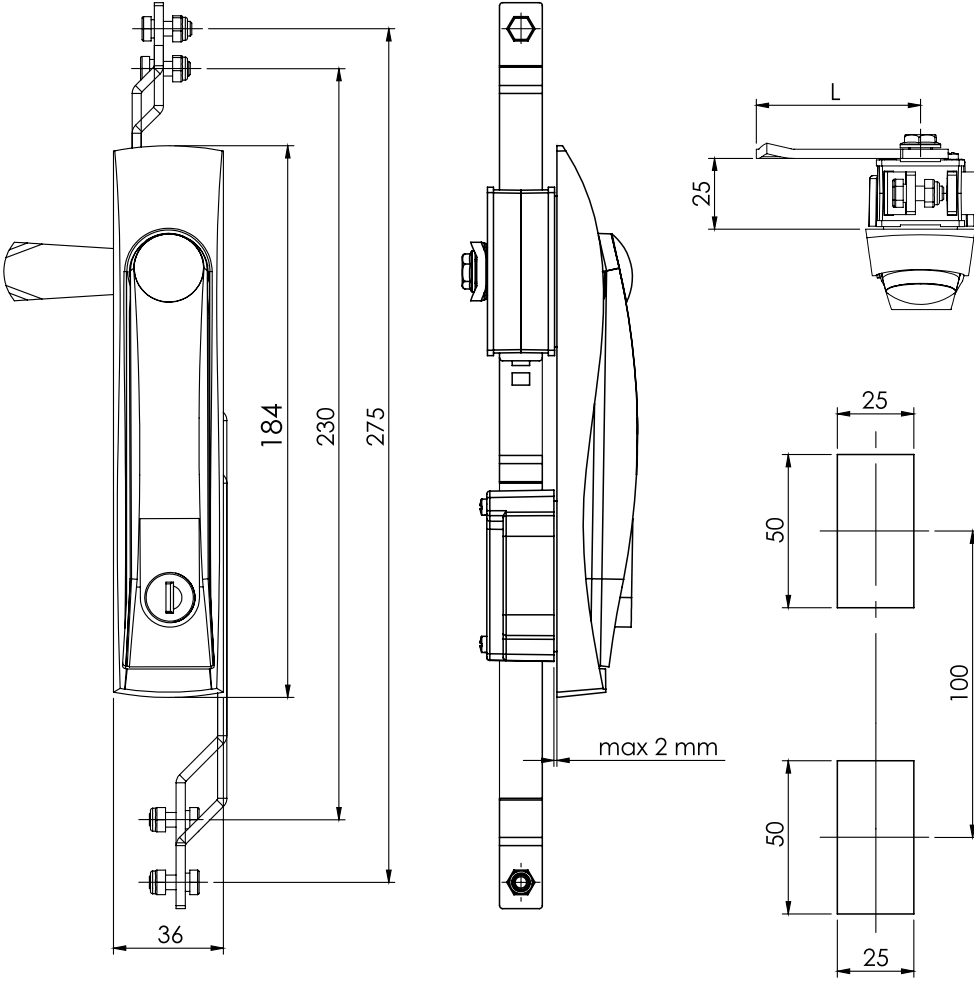
SWING HANDLE LOCKS WITH ROD CONTROL SYSTEM

IP65

L / R

Kollu Pano Kilidi / Swing Handle

005



Kod
Code
005

Mekanizma
Mechanism
M

Barel
Cylinder
CC

Dil
Cam
CM

KULLANIM ALANLARI:

Elektrik Panoları, Makine Kapakları,
Bilgisayar Kabinleri

APPLICATIONS:

Electric Panels, Machinery Covers,
Rack Cabinets

MEKANİZMA / MECHANISM	CODE
Zamak / Zinc Die	M1
Poliamid / Polyamide	M2

BAREL / CYLINDER TYPE (CC)	CODE
Aynı Şifreli / Keyed Alike	01
Farklı Şifre / Keyed Different	02
Eurokey (1333)	03

BAREL / CYLINDER TYPE (CC)		
04	5 mm / DB	
05	8 mm Kare / Square	
06	9 mm Üçgen / Triangle	
08	10,5 mm Yarım Ay Half Round	

TIRNAKSIZ DİLLER / CAMS WITHOUT STOPPER (CM)														
	CODE	01	02	05	06	07	08	09	010	019	043	045	046	086
	H	14	24	0	16	6	12	0	7	0	0	4	10	6
	L	48	48	46	46	52	50	54	44	64	44	43	48	62

MALZEME / MATERIAL	
GÖVDE BODY	Poliamid Polyamide
KOL HANDLE	Poliamid Polyamide
MEKANİZMA MECHANISM	Zamak veya Poliamid Zinc Die or Polyamide
DİL CAM	Çelik Steel